

WIFI fan coil unit thermostat manual

Search for "Smart RM" or "Smart Life"
Download the Wifi App from Google Play or APP Store



Turn on the thermostat, press and hold the key combination “SET” and “ ” the key combination “SET” and “ ”
Activate WIFI distribution network icon

Technical data

Voltage: AC90~240V,

Output: On/off type

Current: 3A

Display temperature range: 0~70°C

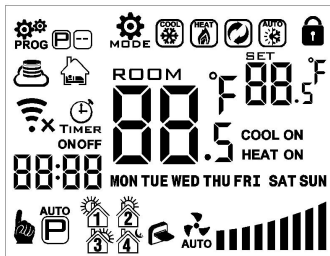
Accuracy: ±0.5°C

Work environment: -10~60°C

Setting range: 5°C - 35°C

Size: 86 * 86mm

Sensor: NTC(10k)1%



Button

Icon	Description
	Increase key: short press to adjust data, long press to check external sensor temperature (When the sensor type is N3 in the advanced option)
	Mode switching key: short press to switch between manual mode and programming mode, long press to set special function parameters
	Decrease key: short press to adjust data, long press to lock/unlock
	Fan speed selection key: short press to set fan speed (confirm key when setting parameters), long press to enter sleep function setting
	Power key
	Press them together to enter matching wifi mode

- WIFI connection, flashing as EZ wifi pair mode
- Wifi status: Disconnection
- cloud icon ,if flashing ,then enter AP wifi pair mode
- Auto mode;run preset program
- Temporary manual mode
- Manual mode
- Clock
- Holiday mode, Holiday days and temperature can be set to run in countdown mode
- Child lock

Operation

Operation	Description
Fan Speed	Turn on state ,press “ ” to choose fan speed (high)、(mid)、(low)、()
Setting time	Turn on state, press “SET” 3-5s , short press SET to choose , then press “ ” to set time: Minute “mm” flashing, press “▲” or “▼” to adjust, press “ ” to next setting.as same method to set hour and week.finally press or wait 5S to exit
Timer	After connected wifi ,click “cloud” on the right corner of APP to set
Working mode	Turn on state,long press “SET” 3-5S, short press SET to choose ,next press to choose mode: “ ” is mean cooling mode, “ ” is mean heating mode, “ ” is mean ventilation mode; is mean auto mode
Control valve	When cooling mode(heating mode),indoor temperature more (lower) 1°C than setting temperature, open valve; after equal, closed valve,fan is still running. Ventilation mode (fan is not control by temperature as default) If fan be controlled by temperature,then valve and fan will be closed.
Locked function	long press to lock/unlock
Alarm	E1 : inner sensor alarm E2 : external sensor alarm
Sleep mode	Turn on state, long press , is flashing, short press to run it, short press to cancel Remark: Sleep mode is not available when run ventilate mode or auto mode
Manual/program mode	Turn on state, shore press “SET” to switch manual mode/program mode

Program mode setting

HY08AC thermostat support set different time and different temperature: Compatible with 5+2,6+1,7days

Program type

Long press SET 3-5S, next short press SET to choose , then short press to program mode setting, use and to adjust value . After short press to set next time section setting

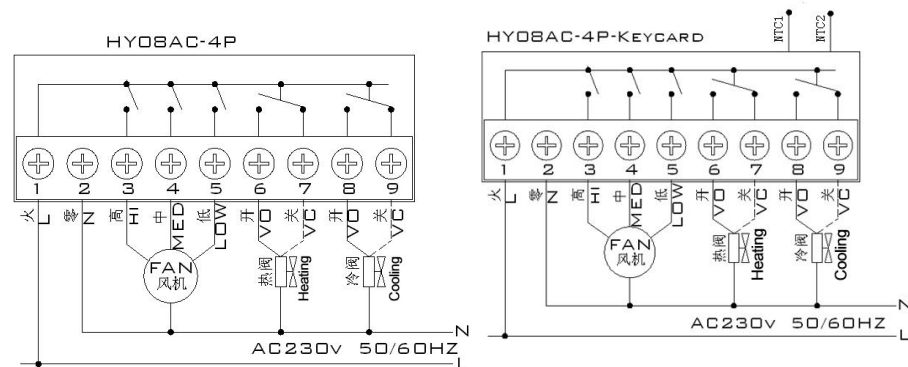
Time section	Icon	Time (default)	Temperature(default)
Monday to Sunday	1	06:00	20° C
	2	08:00	15° C
	3	17:30	22° C
	4	22:00	15° C

Advanced Option

Turn off thermostat ,long press 5S to enter advanced setting options, Short press to set next item, press "" or "" to set item data

Symbol	Item	Parameter	Default
A1	Temperature Calibration	-9-+9°C	-1°C
A2	Children Lock	0:half lock; (It is available to turn on/off and adjust temperature) 1:full lock	0
A3	Setting the lowest limit temperature	5-15°C	5°C
A4	Setting the highest limit temperature	16-50°C	35°C
A5	Fan energy saving control	0: valve off,fan off 1: valve off,fan always on	0
A6	Program mode type	0=5+2 1=6+1 2=7 (everyday all the same)	0
A7	Choose valve output	2:2pipe 4:4 pipe	4
A8	Choose sensor	N1:inner sensor N2:external sensor N3:Double sensor when choose N3, In the heating state, normally only valve is opened , and the fan is turned on when the external temperature is detected to be $\geq X^{\circ}\text{C}$. When the temperature is detected	N1

		to be lower than (X-2) °C, the fan is turned off.	
A9	Set temperature for external sensor	20-60°C	38°C
AA	Backlight sleep time	5-30S	10S
AB	Reset	Display Ao, press key until whole show	Ao



Cautions on Installation:

- To prevent the thermostat display from a high fluctuation, special treatment has been made to the program. Therefore, it is normal that the thermostat cannot immediately display the sudden change of temperature.
- The thermostat installed on 1.5m above the ground.
- For the thermostat installed, please take care not to install it to the wall corner, door / window side or behind the door or in such unheated area as exterior wall. Avoid hot / cold air duct, radiator, flue or thermal pipe
- When install the power supply, make sure that the power cable is well insulated.
- Don't open the internal circuit board..
- HY08AC series thermostat design for the standard 75x75x 35mm wall mount box installed. Follow the instructions to open the rear cover base, mount it on the wall and wire it.
- Before installing the thermostat, make sure that the system is disconnected. The maximum voltage of the system shall meet the requirements specified in the Instruction Manual (Max. AC Voltage: 250V).

Installation diagram:

